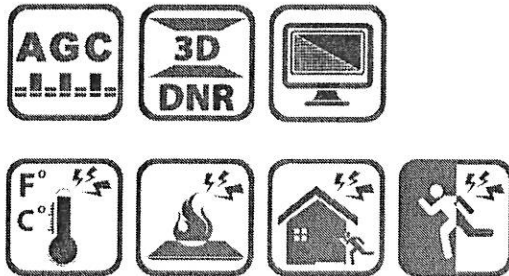


ПРИЛОЖЕНИЕ 1
 техническа спецификация термо-оптична камера

DS-2TD6266-100C2L
Thermal & Optical Bi-spectrum Network Positioning System



Hikvision DS-2TD6266-100C2L Thermal & Optical Bi-spectrum Network Positioning System is applied to frontier defense occasions, maritime defense occasions, port monitoring, airport perimeter security, and so on. The pre-alarm system helps you discover unexpected events immediately and protects you from property loss.

Smart Function (Thermal Imaging)

- Leading image processing technology: Adaptive AGC, DDE, 3D DNR, NETD < 40mk (@25°C, F#=1.0)
- Smart tracking: Panorama tracking, Event tracking and Multi-scene patrol tracking
- Smart tracking linkage: thermal view and optical view
- Powerful behavior analysis algorithm: Line crossing, Intrusion, Region Entrance & Exit
- Reliable temperature exception alarm function
- Advanced fire detection algorithm

Thermal Imaging Module Function

- 640*512 resolution, high sensitivity sensor, support contrast adjustment
- Support shutter adjustment in various modes
- 3D DNR, 15 palettes of color adjustable, image detail enhancement

ГЕЙТ.БГ ЕООД
 гр. Русе, бул. Цар освободител 111А
 office@gate.bg, +359 8988 84628




www.hikvision.com



Specifications

Parameter	Model	DS-2TD6266-100C2L
Thermal & Optical Bi-spectrum Network Positioning System		
Thermal module	Image sensor	Vanadium Oxide Uncooled Focal Plane Arrays
	Max. Resolution	640 × 512
	Detector Pitch	17μm
	Response waveband	8μm to 14μm
	NETD	< 40mk(@25°C,F#=1.0)
	Lens (focal length)	100 mm
	MRAD	0.17 mrad
	Field of View	6.23° × 4.98°
	Min. Focusing Distance	10 m
	F number	1.0
Optical camera	Image sensor	1/2.8" Progressive Scan CMOS
	Min. Illumination	Color : 0.05Lux @ (F1.8, AGC ON) B/W : 0.01Lux @ (F1.8, AGC ON)
	Focal Length	6.7-330mm, 49 X
	Digital Zoom	16 X
	Field of View	41.3° - 1.2° (Wide-Tele)
	Min. Working Distance	10-1500mm(Wide-Tele)
	Aperture Range	F1.8-F6.1
	Focus Mode	Auto / Semiautomatic / Manual
	WDR	Digital
	Shutter Time	PAL: 1-1/30,000s / NTSC: 1-1/30,000s
	White Balance	Auto / Manual /ATW/Indoor/Outdoor/Daylight lamp/Sodium lamp
	Day & Night	IR Cut Filter
	Privacy Mask	24 privacy masks programmable; optional multiple colors and mosaics
	Optical Defog	Yes
Enhancement	3D DNR	
Smart function	VCA	Support 4 VCA rule types (Line Crossing, Intrusion, Region Entrance, and Region Exiting), 10 scenes and 8 VCA rules for each scene.
	Temperature Measurement	Support 3 temperature measurement rule types, over 256 presets as scene, 21 rules of each scene (10 points, 10 regions, and 1 line)
	Temperature range	-20 °C to 150 °C (-4 °C to 302 °F)
	Temperature accuracy	± 8 °C (14.4 °F)
	Fire detection	Support 10 fire points
PTZ	Movement Range	Pan: 360° Continuous Rotate; Tilt: From -90° to + 40° (auto flip)
	Pan Speed	Configurable, From 0.1°/s to 110°/s
	Tilt Speed	Configurable, From 0.1°/s to 50°/s
	Proportional Zoom	Yes
	Presets	300
	Patrol Scan	8; Up to 32 Presets Per Patrol
	Pattern Scan	4; More Than 10 Minutes Per Pattern
	Power Off Memory	Yes
	Park	Preset/Pattern Scan/Patrol Scan/Auto Scan/Tilt Scan/Random Scan/Frame Scan/Panorama Scan
	PT Status	Turn On/Turn Off
	Scheduled Task	Preset/Pattern Scan/Patrol Scan/Auto Scan/Tilt Scan/Random Scan/Frame Scan/Panorama Scan/Doom Reboot/Doom Adjust/Aux Output
Infrared	IR Distance	Up to 500m
	IR Intensity and Angle	Auto Adjust
Network	Main Stream	Optical: 50Hz:25fps(1920 × 1080), 25fps(1280 × 960), 25fps(1280 × 720) Optical: 60Hz:30fps(1920 × 1080), 30fps(1280 × 960), 30fps(1280 × 720) Thermal: 50fps (640 × 512)

ГЕАТ БГ ЕООД
 гр. Пусе, пк. 7000, ул. "13 ноември 1918" № 111А
 телефон за контакти : +359 888 864628
 електронна поща : support@gate.bg
 уебсайт : https://gate.bg/



	Sub stream	Optical: 50Hz:25fps (704 × 576), 25fps (352 × 288), 25fps (176 × 144) Optical: 60Hz:30fps (704 × 480), 30fps (352 × 240), 30fps (176 × 120) Thermal: 50fps (640 × 512)
	Video compression	H.264 (Baseline/Main/High Profile) /MJPEG/MPEG4
	Audio compression	G.711u/G.711a/G.722.1/MP2L2/G.726/PCM
	Protocols	IPv4/IPv6,HTTP,HTTPS,802.1x,Qos,FTP,SMTP,UPnP,SNMP,DNS,DDNS,NTP,RTSP,RTCP,RTP,TCP,U DP,IGMP,ICMP,DHCP,PPPoE, Bonjour
	Simultaneous live view	Up to 20-ch
	User/Host level	Up to 32 users, 3 levels: Administrator, Operator, User
	Security measures	User authentication (ID and PW), MAC address binding, HTTPS encryption, IEEE 802.1x access control, IP address filtering
Integrati on	Alarm Input	Up to 7-ch Relay Input (0-5V DC)
	Alarm Output	Up to 2-ch; Support Alarm Linkage
	Alarm Action	Preset/Patrol Scan/Pattern Scan/SD Card Record/Relay Output/Smart capture/FTP upload/Email linkage
	Audio Input	LINE_IN Input/MIC Input; Peak: From 2 to 2.4V[p-p]; Output Impedance: 1KΩ±10%
	Audio Output	Linear Level; Impedance: 600Ω
	Communication Interface	Built-in RJ45; 10M/100M Ethernet Interface
	Onboard Storage	Built-in Micro SD/SDHC/SDXC Card Slot, Up to 64GB; Support Manual/Alarm Recording
	Analog Video Output	1.0V [p-p]/75Ω, PAL/NTSC/BNC
	RS485	Half-Duplex; HIKVISION, PELCO-P and PELCO-D Self-adaptive
	API	Open-ended; Support ONVIF, ISAPI and CGI; Support HIKVISION SDK and Third-Party Management Platform
	Client	iVMS-4200
Web Browser	IE 7+, Chrome 18+, Firefox 5.0+, Safari 5.02+; Multiple Languages	
General	Menu	English
	Wiper	Yes
	Power	24V AC, 120W
	Work Temperature/Humidity	From -40°C to 60°C (-40°F to 140°F); IP66 Water and Dust resistance
	Protection Level	Open-ended API, support ISAPI; Support HIKVISION SDK and Third-party Management Platform
	Dimensions	486.1 mm × 351.6 mm × 450.3 mm (19.14" × 13.84" × 17.73")
	Weight	Approx. 19kg (41.89lb)

Wide Range Coverage for Different Specifications

Note: The table below is only for reference, the performance varies from model to model, and the specific data is based on 17 μm detector pitch.

Lens (focal length)	7mm	10mm	15mm	25mm	35mm	50mm	75mm	100 mm
Detection range (Vehicles)	631m	902m	1353m	2255m	3157m	4510m	6765m	9020m
Detection range (Humans)	206m	294m	441m	735m	1029m	1471m	2206m	2941m
Recognition range (Vehicles)	158m	225m	338m	564m	789m	1127m	1691m	2255m
Recognition range (Humans)	51m	74m	110m	184m	257m	368m	551m	735m
Identification range (Vehicles)	79m	113m	169m	282m	395m	564m	846m	1127m
Identification range (Humans)	26m	37m	55m	92m	129m	184m	276m	368m

ГЕИТ.БГ ЕООД
 гр. Русе, бул. Цар освободител 111А
 office@gate.bg, +359 8888 864628
 www.gate.bg



Smart functions Range Table

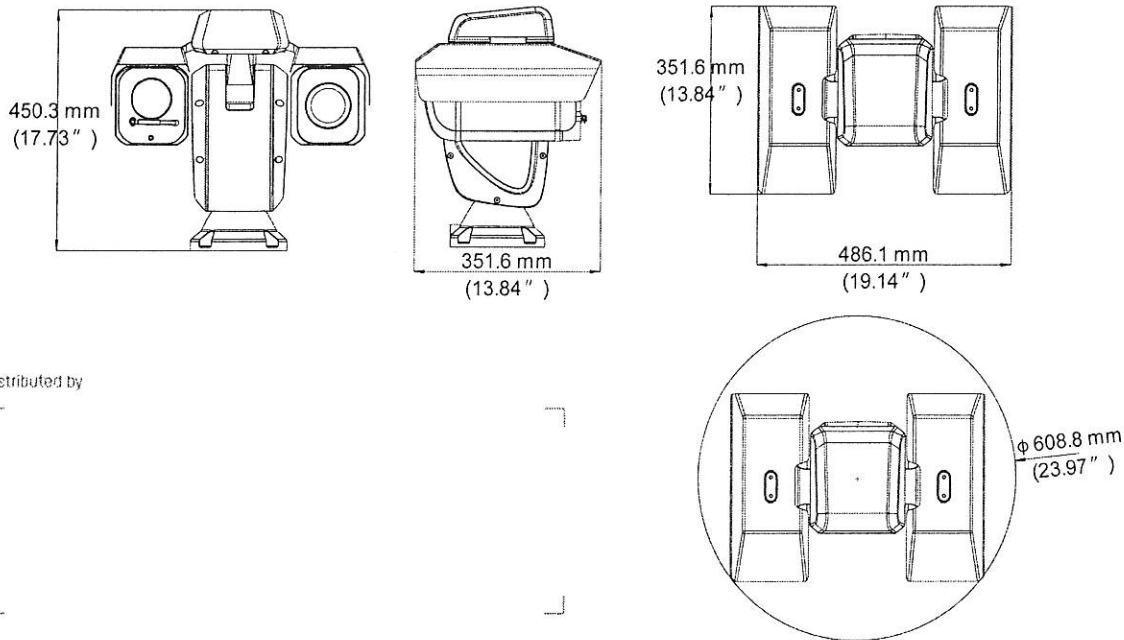
Note: The table below is only for reference, the performance varies from model to model, and the specific data is based on 17 μm detector pitch.

Lens (focal length)	7mm	10mm	15mm	25mm	35mm	50mm	75mm	100 mm
VCA range (humans)	50m	72m	110m	183m	255m	360m	540m	720m
VCA range (Vehicles)	144m	205m	308m	514m	720m	1029m	1544m	2000m
Temperature measurement (Object:2×2 m)	164m	234m	351m	585m	819m	1170m	1775m	2340m
Temperature measurement (Object:1×1 m)	83m	118m	177m	295m	413m	590m	885m	1180m
Fire Detection (Object:2×2 m)	412m	588m	882m	1470m	2058m	2940m	4410m	5880m
Fire Detection (Object:1×1 m)	206m	294m	441m	735m	1029m	1470m	2205m	2940m

Order Models

DS-2TD6266-100C2L

Dimensions



Distributed by



HIKVISION

Headquarters
 No.555 Qianmo Road, Binjiang District,
 Hangzhou 310051, China
 T +86-571-8807-5998
 overseasbusiness@hikvision.com

Hikvision USA
 T +1-909-695-0400
 sales.usa@hikvision.com

Hikvision Italy
 T +39-0438-6902
 info.it@hikvision.com

Hikvision Singapore
 T +65-6684-4716
 sg@hikvision.com

Hikvision Africa
 T +27 (10) 0351172
 sale.africa@hikvision.com

Hikvision Europe
 T +31-23-55-42-770
 info.eu@hikvision.com

Hikvision France
 T +33(0)1-65-330-450
 info.fr@hikvision.com

Hikvision Oceania
 T +61-2-8539-4233
 salesau@hikvision.com

Hikvision Hong Kong
 T +852-2151-1761

Hikvision Middle East
 T +971-4-8816086
 salesme@hikvision.com

Hikvision Spain
 T +34-91-737-16-55
 info.es@hikvision.com

Hikvision Canada
 T +1-909-695-0400
 sales.usa@hikvision.com

Hikvision Russia
 T +7-495-669-67-99
 saleru@hikvision.com

Hikvision Poland
 T +48-22-660-01-50
 poland@hikvision.com

Hikvision Korea
 T +82-31-731-8841
 sales.korea@hikvision.com

Hikvision India
 T +91-22-28469900
 sales@pramahikvision.com

Hikvision UK
 T +91628-902140
 support.uk@hikvision.com

Hikvision Brazil
 T +55 11 3316-0050
 brazil@hikvision.com